

The Vacuum Transfer System TP



Designed for easy flowing materials

Simple construction

Hermetically sealed

Non separation guarantee

Automatic level control

Designed for daily cleaning



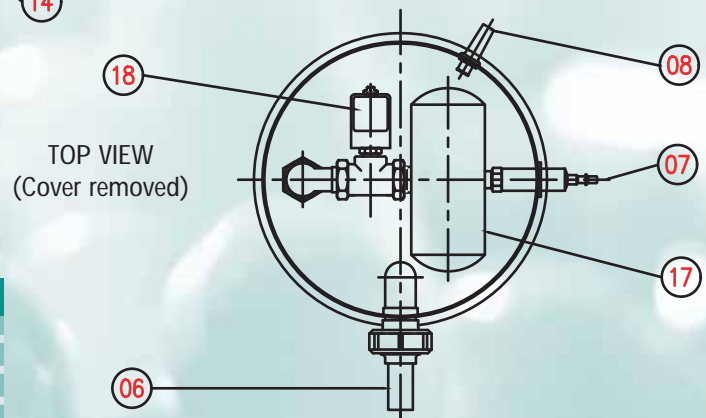
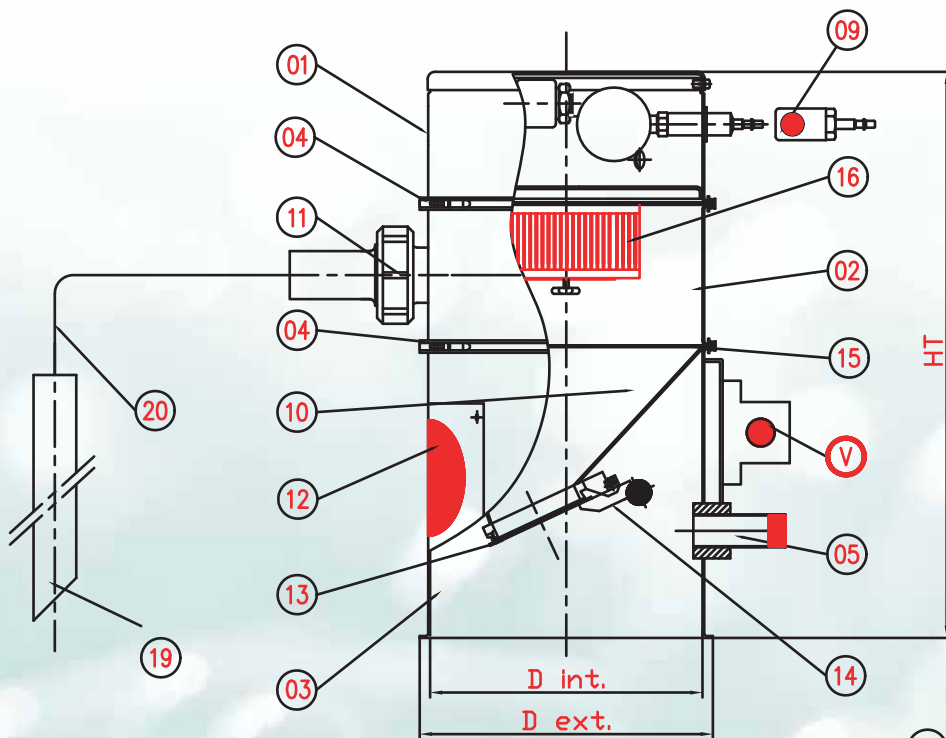
Easy dismantling by clamp collars



TECHNIlab®



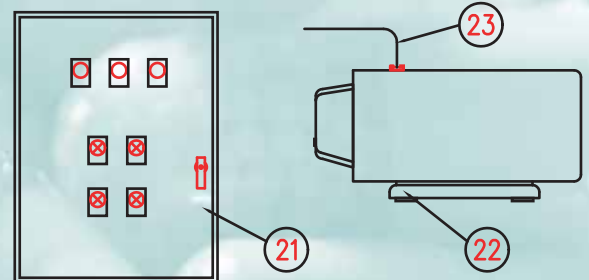
The Vacuum Transfer System TP



Rep.	Qty	Designation	Material
01	1	Cleaning Base	304 l or 316 L Stainless Steel
02	1	Filter Location	304 l or 316 L Stainless Steel
03	1	Base	304 l or 316 L Stainless Steel
04	1	Clamp Union	304 L Stainless Steel
05	1	Inductive Detector	
06	1	SMS 25 Coupling (vacuum)	316 L Stainless Steel
07	1	Quick Coupling Compressed Air (male)	304 L
08	1	Cable Protection	Rubber
09	1	Quik Coupling Compressed Air (female)	304 L Stainless Steel
10	2	Reception Cone	304 l or 316 L Stainless Steel
11	1	SMS 38 Coupling (material)	316 L Stainless Steel
12	1	Event	Goretex
13	1	Flap Seal	Nitrile
14	1	Flap	304 L or 316 L Stainless Steel
15	3	Tight Ring	Silicon
16	1	Filter Cartridge	Polyester
17	1	0,3 liter Accumulator	304 L Stainless Steel
18	1	Cleaning Electro Valve	Bronze
19	1	Bulk inlet	304 L or 316 L Stainless Steel
20	1	Flexible Hose Ø38	Antistatic Crystal PVC
21	1	Electrical Panel	
22	1	Vacuum Pump	16 up to 25 m ³ /h
23	1	Flexible Hose Ø25	Antistatic Crystal PVC

Options

Rep.	Qty	Designation
V	1	PNEUMATIC VIBRATOR



PARAMETERS

TH : Total Height = 470 mm
 D ext. : External Diameter = 240 mm
 D int. : Internal Diameter = 223 mm
 Mass of cyclone : 12,5 kg

TECHNIlab[®]

30 bis, rue du Bois Chaland - CE 2948 • 91029 EVRY Cedex FRANCE

Tél. : +33 (0)1 60 86 96 48 • Fax : +33 (0)1 60 86 90 01

www.technilab.fr