

# The Vacuum Transfer System **TPC 85**



Operate in dense phase

Designed to handle difficult materials

Capacity up to 3000 litres/hour

Automatic level control\*

Designed for cleaning in place\*

Available for Atex 2/22 areas

\* according to selected option



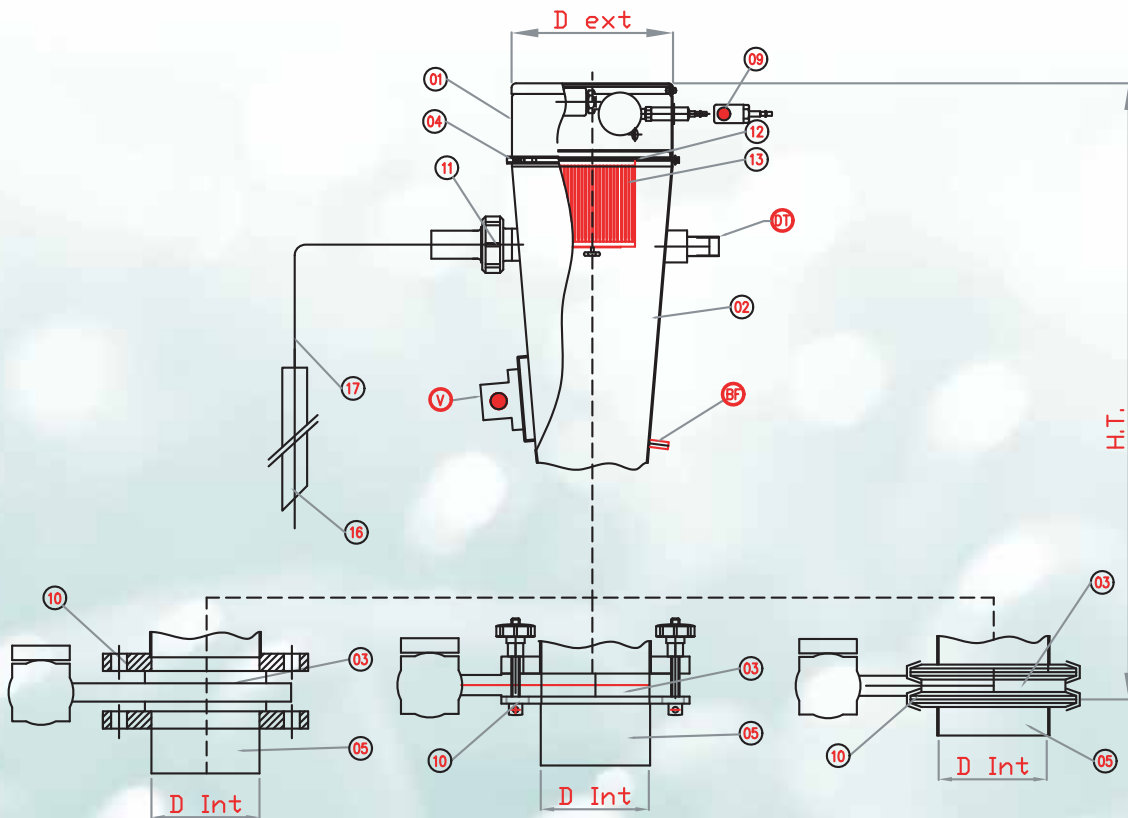
*Option :  
Assembled with rocking bolts*



**TECHNI**lab®



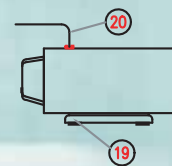
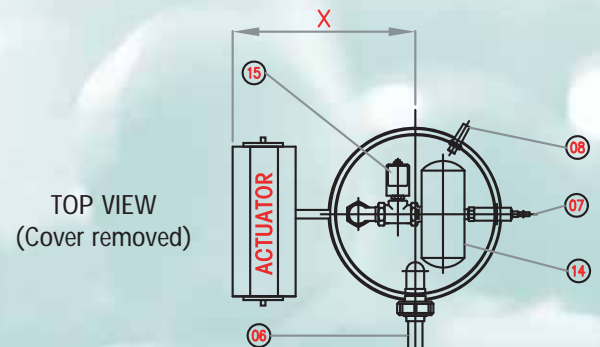
# The Vacuum Transfer System **TPC 85**



Rep.	Qty	Designation	Material
01	1	Cleaning System	316 L Stainless Steel
02	1	Cyclone	304 L or 316 L Stainless Steel
03	1	DN 150 Valve	316 L Stainless Steel
04	1	Clamp	304 L Stainless Steel
05	1	DN 150 Sleeve	316 L Stainless Steel
06	1	SMS 25 Coupling (vacuum)	316 L Stainless Steel
07	1	Coupling Compressed Air (male)	304 L Stainless Steel
08	1	Cable Protection	Rubber
09	1	Coupling Compressed Air (female)	304 L Stainless Steel
10	2	DN 150 Flange	316 L Stainless Steel
11	1	SMS 38 Coupling (material)	316 L Stainless Steel
12	1	Tight Seal	Silicon
13	1	Filter Cartridge	Polyester/Silicon
14	1	0,3 liter Accumulator	304 L Stainless Steel
15	3	Cleaning Electro Valve	Bronze
16	1	Suction Probe	304 L or 316 L Stainless Steel
17	1	Flexible Hose Material Ø38	Antistatic Crystal PVC
18	1	Control Panel	Stainless Steel
19	1	Vacuum Pump	16 to 60 m <sup>3</sup> /h
20	1	Flexible Hose Vacuum Ø25	Antistatic Crystal PVC

## Options

Rep.	Qty	Designation	
DT	1	LEVEL DETECTOR	
BF	1	FLUIDISATION NOZZLE	1 to 3 According to demand
V	1	PNEUMATIC VIBRATOR	



## PARAMETERS

TH : Total Height = 710 mm  
 D ext. : External Diameter = 223 mm  
 D int. : Internal Diameter = 150 mm  
 Mass of cyclone : 18 kg  
 X = 265 mm

**TECHNIlab**<sup>®</sup>

30 bis, rue du Bois Chaland - CE 2948 • 91029 EVRY Cedex FRANCE

Tél. : +33 (0)1 60 86 96 48 • Fax : +33 (0)1 60 86 90 01

[www.technilab.fr](http://www.technilab.fr)