

# Bridge Breaker DP 300



GMP design with no material hang-up

De-lumps friable material

No material attrition

Easy to dismantle

Suitable for silos, sack stations,  
big bag discharge stations

Available for ATEX

Flange diameter **300 mm**

Outlet diameter ID**38** or ID**51**



Version low



Tri-clamp SMS



Sanitary coupling EC



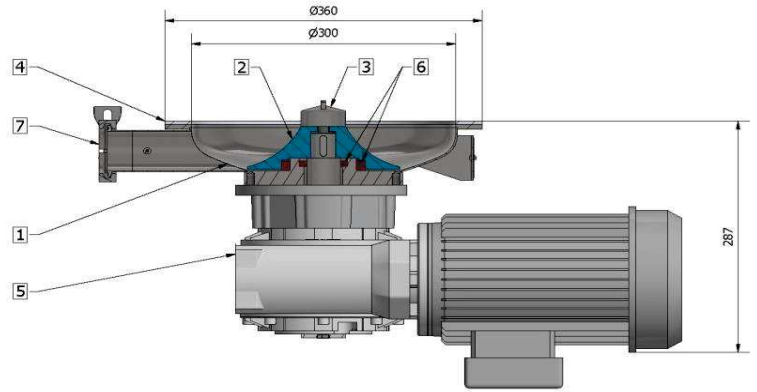
Version high  
with level probe



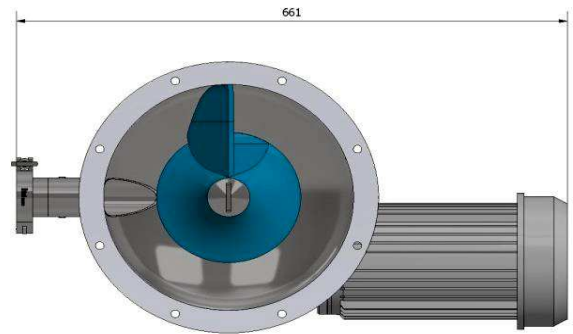
Flange PN



# Bridge breaker DP 300



Rep.	Designation	Material
01	DP300 body	St. Steel 304L or 316L
02	Paddle	St. Steel 304L or 316L
03	Cover	St. Steel 304L or 316L
04	Flange DP300 Seal	NBR White CE, FDA
05	Motoreductor 1,1Kw 30 Tr/Mn	
06	Shaft Seal	BAUMSL
07	Outlet DP 300	St. Steel 304L or 316L



Weight : 38 kg

## Version two outlets



## Vent filter TPC 85



## Dosing flushing line TPC 85



## Version three outlets



## Automatic flushing line TPC 85



## Feeding Hopper TDP



**TECHNIlab®**

30 bis, rue du bois chaland, CE 2948 - 91029 EVRY Cedex France

Tél : + 33 (0) 1 60 86 96 48 - Fax : + 33 (0) 1 60 86 90 01