

Lump Breaker DE 600



GMP design with no material hang-up

De-lumps friable material

No material attrition

Easy to dismantle

Suitable for silos, sack stations,
big bag discharge stations

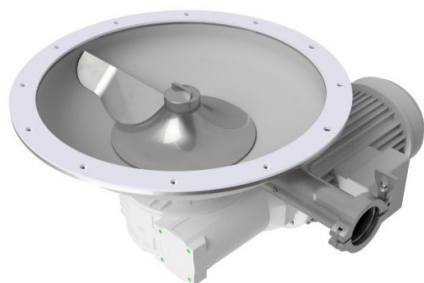
Available for ATEX

Flange diameter **600 mm**

Outlet diameter ID**51** to ID**104**



Version low



Tri-clamp SMS



Sanitary coupling EC



**Version high
with level probe**



Flange PN



Transfère vos idées et vos poudres

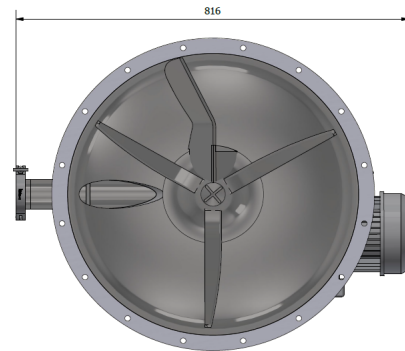
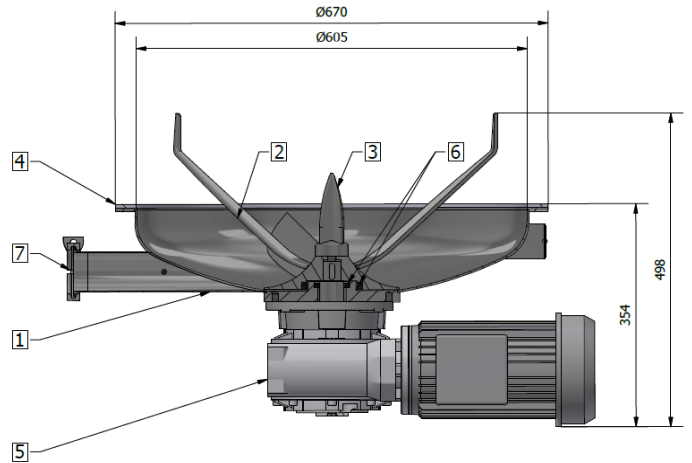
TECHNIlab[®]

Lump breaker DE 600



Rep.	Designation	Material
01	DE600 body	St. Steel 304L or 316L
02	Paddle	St. Steel 304L or 316L
03	Cover	St. Steel 304L or 316L
04	Flange DE600 Seal	NBR White CE, FDA
05	Motoreductor 1,5Kw 30 Tr/Mn	
06	Shaft Seal	BAUMSL
07	Outlet DE 600	St. Steel 304L or 316L

Weight : 45 kg



Version two outlets



Vent filter TPC 85



Dosing flushing line TPC 85



Version three outlets



Automatic flushing line TPC 85



Feeding Hopper TDP



TECHNIlab®

30 bis, rue du bois chaland, CE 2948 - 91029 EVRY Cedex France

Tél : + 33 (0) 1 60 86 96 48 - Fax : + 33 (0) 1 60 86 90 01

www.technilab.fr