

Tablet Deduster VTD 100

Compact

High elevation capacity

Integrated metal detector

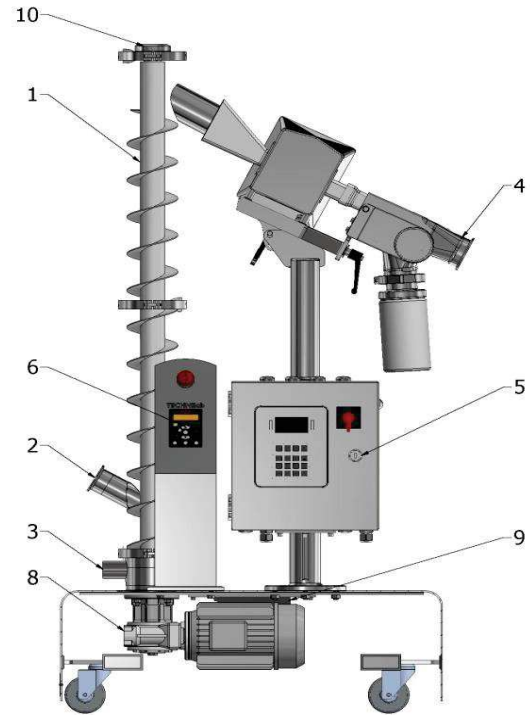
Efficient

Easy cleaning solution



Tablet Deduster VTD 100

Rep.	Désignation	Matière
01	Dedusting screw	Polyamide
02	Capsule inlet and Dedusting tube	St. Steel 316L
03	Outlet vacuum powder	St. Steel 316L
04	Metal detector CEIA	St. Steel 316L
05	Control Panel CEIA	St. Steel
06	Control Panel Danfoss	
07	HMI Magelis SCHNEIDER	
08	HMI Magelis SCHNEIDER	
09	Speed variator Danfoss	
10	Quick dismantling triclamp PTFE	St. Steel 316L



Metal Detector CEIA



Control Panel HMI



Level scanning System LRD



Feeding hopper TVD



Capsule Diverter RGV



Receiving hopper TVR



TECHNIlab®

30 bis, rue du bois chaland, CE 2948 - 91029 EVRY Cedex France

Tél : + 33 (0) 1 60 86 96 48 - Fax : + 33 (0) 1 60 86 90 01

www.technilab.fr