

Vacuum Transfer System TPC 85



Operate in dense phase

Capacity up to 3 000 liters/hour

Automatic level control

Easy disassembly

Food agreement

Designed to handle difficult materials

Available for ATEX



Version

Clamp



Rocking bolts



Flange



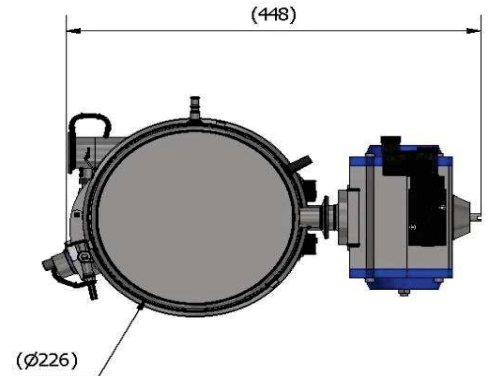
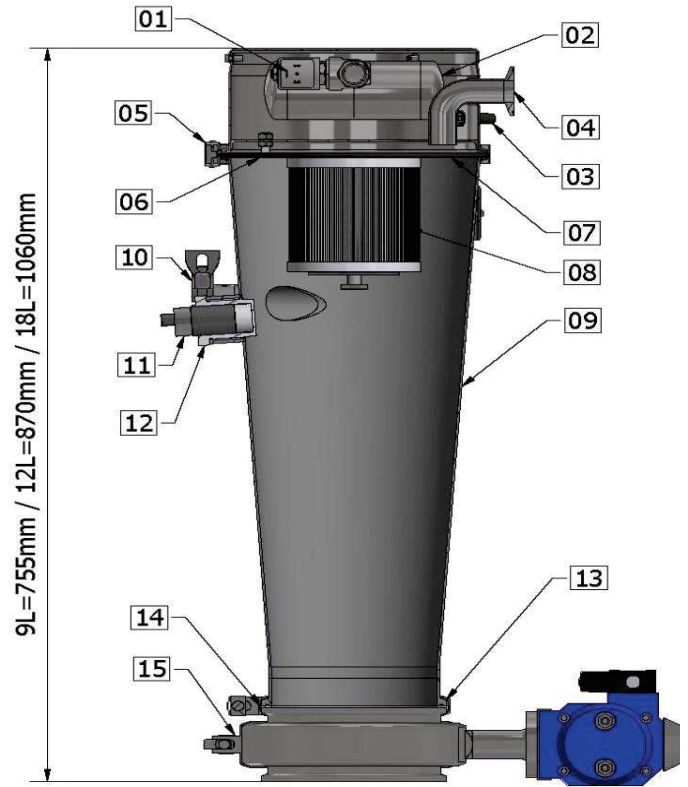
Vacuum Transfer System TPC 85

Rep.	Désignation	Matière
01	Blower solenoid	Brass
02	Blower tank	St. Steel 304L
03	Compressed Air coupling	Brass
04	Vacuum coupling tri-clamp SMS 25	St. Steel 316L
05	Collar Profil V	St. Steel 304L
06	Filter Plate	St. Steel 316L
07	Seal for filter plate	Silicone
08a	Filter Cartridge standard	Polyester
08b	Filter Cartridge ATEX	ePTFE
09	Cyclone tri-clamp SMS 150	St. Steel 316L
10	Powder coupling tri-clamp SMS 38	St. Steel 316L
11	Level detector	Aluminium
12	Protection level detector	PTFE
13	Collar tri-clamp SMS 150	Inox 316L
14	Seal tri-clamp SMS 150	Silicone
15	Butterfly valve tri-clamp SMS 150	Inox 316L

Weight Cyclone : 22 kg

Options

Désignation	Matière
Fluidisation nozzle	St. 316L
Bracket support	St. 304L
Pneumatic vibrator	



Désignation	Matière
Panel control with automate	Steel
Panel control with automate	St. 316L
Electric Vacuum pump 40 - 80 m ³ /h	



Désignation	Matière
Suction probe	St. Steel 316L
Automatic Flushing Line	St. Steel 316L
Vacuum adaptor	St. Steel 316L



TECHNIlab®

30 bis, rue du bois chaland, CE 2948 - 91029 EVRY Cedex France

Tél : + 33 (0) 1 60 86 96 48 - Fax : + 33 (0) 1 60 86 90 01

www.technilab.fr