

Lump Breaker DE 300



GMP design with no material hang-up

De-lumps friable material

No material attrition

Easy to dismantle

Suitable for silos, sack stations,
big bag discharge stations

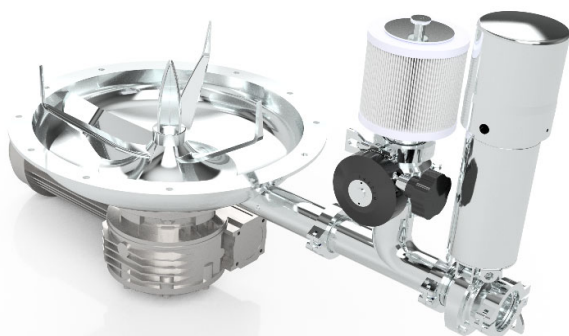
Available for ATEX

Flange diameter **300 mm**

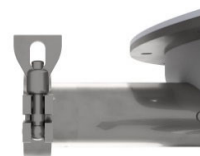
Outlet diameter ID**38** or ID**51**



Version with automatic
flushing pipe system



Tri-clamp SMS



Sanitary coupling EC



Flange PN

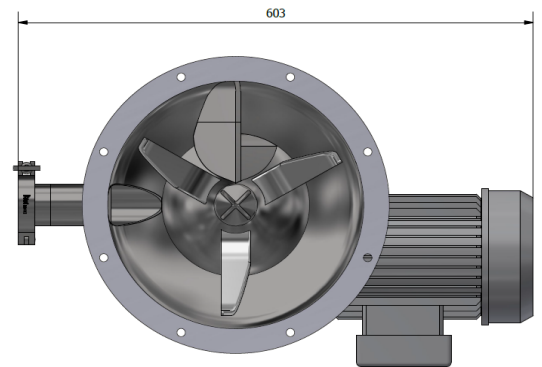
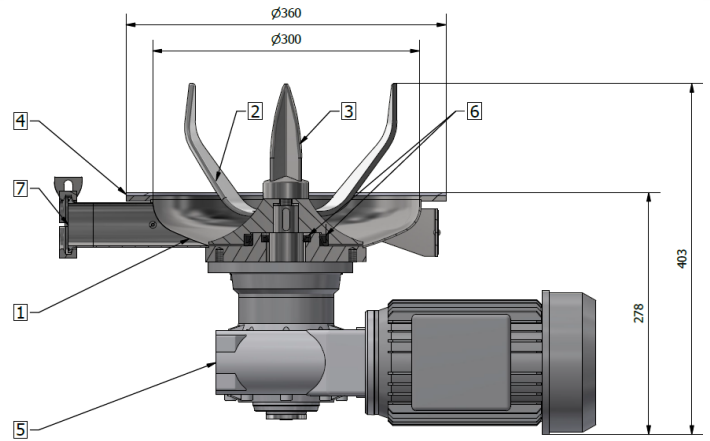


Lump breaker DE 300



Rep.	Designation	Material
01	DE300 body	St. Steel 304L or 316L
02	Paddle	St. Steel 304L or 316L
03	Cover	St. Steel 304L or 316L
04	Flange DE300 Seal	NBR White CE, FDA
05	Motoreductor 1,1Kw 30 Tr/Mn	
06	Shaft Seal	BAUMSL
07	Outlet DE 300	St. Steel 304L or 316L

Weight : 45 kg



Version two outlets



Vent filter TPC 85



Dosing flushing line TPC 85



Version three outlets



Automatic flushing line TPC 85



Feeding Hopper TDP



TECHNIlab®

30 bis, rue du bois chaland, CE 2948 - 91029 EVRY Cedex France

Tél : + 33 (0) 1 60 86 96 48 - Fax : + 33 (0) 1 60 86 90 01

www.technilab.fr