

# Bridge Breaker DP 400



GMP design with no material hang-up

De-lumps friable material

No material attrition

Easy to dismantle

Suitable for silos, sack stations,  
big bag discharge stations

Available for ATEX

Flange diameter **400 mm**

Outlet diameter **ID38 to ID76**



**Version low**



**Tri-clamp SMS**



**Sanitary coupling EC**



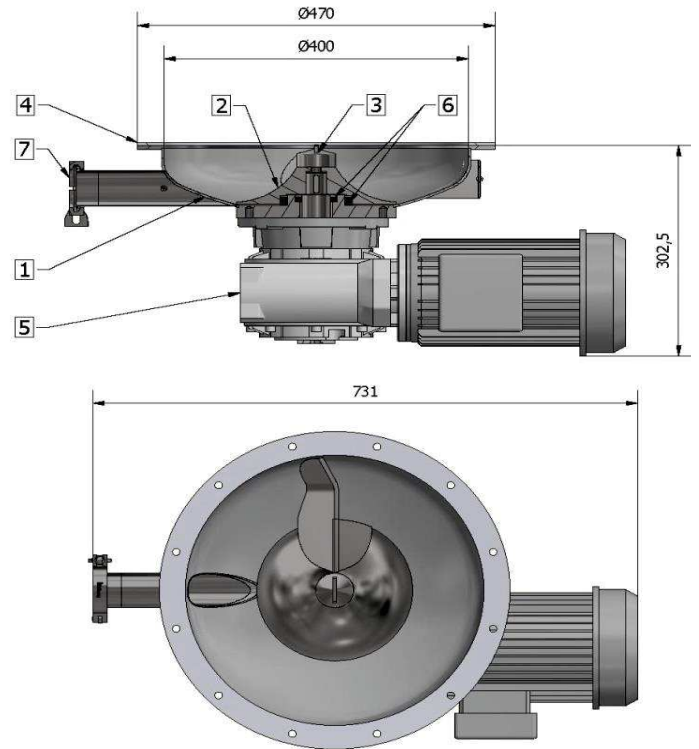
**Version high  
with level probe**



**Flange PN**



# Bridge breaker DP 400



Rep.	Designation	Material
01	DP400 body	St. Steel 304L or 316L
02	Paddle	St. Steel 304L or 316L
03	Cover	St. Steel 304L or 316L
04	Flange DP400 Seal	NBR White CE, FDA
05	Motoreductor 1,1Kw 30 Tr/Mn	
06	Shaft Seal	BAUMSL
07	Outlet DP 400	St. Steel 304L or 316L

Weight : 45 kg

## Version two outlets



## Vent filter TPC 85



## Dosing flushing line TPC 85



## Version three outlets



## Automatic flushing line TPC 85



## Feeding Hopper TDP



**TECHNILab®**

30 bis, rue du bois chaland, CE 2948 - 91029 EVRY Cedex France

Tél : + 33 (0) 1 60 86 96 48 - Fax : + 33 (0) 1 60 86 90 01

[www.technilab.fr](http://www.technilab.fr)